



PAT McCRORY
Governor

NICHOLAS J. TENNYSON
Secretary

December 6, 2016

Addendum No. 1

Contract No.: DA00332

WBS Element: DF15001.2008010, ETC.

Replacement of Existing Pipes / Culverts in Bertie and Camden Counties

To Whom It May Concern:

Reference is made to the proposal and plans previously furnished for this project.

The following revision has been made to the proposal:

Page No.68 “Additional Culvert Undercut” has been revised to clarify the depth requirements. Please void existing Page No. 68 and replace with revised Page No. 68.

Plan Sheet “Installation Detail” the detail has been revised to clarify the foundation conditioning material and to illustrate the geotextile fabric requirements. Please void the existing Plan Sheet “Installation Detail” and replace with the revised Plan Sheet “Installation Detail”.

Technical Shop Drawings have been included for each site. Please include these details with the previously provided documents.

If you choose the “Electronic Bid Preparation with Manual Delivery Method” or “Traditional Paper Bid Method,” please acknowledge receipt of Addendum #1 in the space provided on the Addendum Acknowledgement Form.

If you choose the “Electronic Bid Preparation with Manual Delivery Method,” place DA00332.001 in the same folder with DA00332.EBS, so that Expedite Bid will properly apply the addendum.

Sincerely,

DocuSigned by:

A handwritten signature in black ink that reads 'W. B. Hobbs'.

99A5A272ED6A447...

W. B. Hobbs, PE
Division Project Manager

WBH/ces
Attachment

cc: A. W. Roper, PE
C. S. Mebane, PE
J. S. Abel, Jr.



REVISED 12/6/2016

Payment will be made under:

Pay Item	Pay Unit
Coir Fiber Mat	Square Yard

DEWATERING:**Description**

The contractor shall adhere to the permits for the dewatering process. The contractor may elect to dewater using sheet pile or aqua barriers. Any deviation from the permit must be pre-approved by the permitting agencies and NCDOT. No additional time or compensation will be granted if alternate methods are used.

Measurement and Payment

Generic Erosion Control Item (Dewatering) will be paid for at the lump sum price bid which will be full compensation for all items required in the construction and removal of the temporary bypass system for dewatering including, but not limited to, any necessary pumps, hardware, sheet pile, aqua barriers, silt bags, or any other items contained in Article 400 of the *Standard Specifications*.

Payment will be made under:

Pay Item	Pay Unit
Generic Erosion Control Item (Dewatering)	Lump Sum

ADDITIONAL CULVERT UNDERCUT:**Description**

Additional undercut may be necessary at no fault of the contractor due to unsuitable pipe bed material.

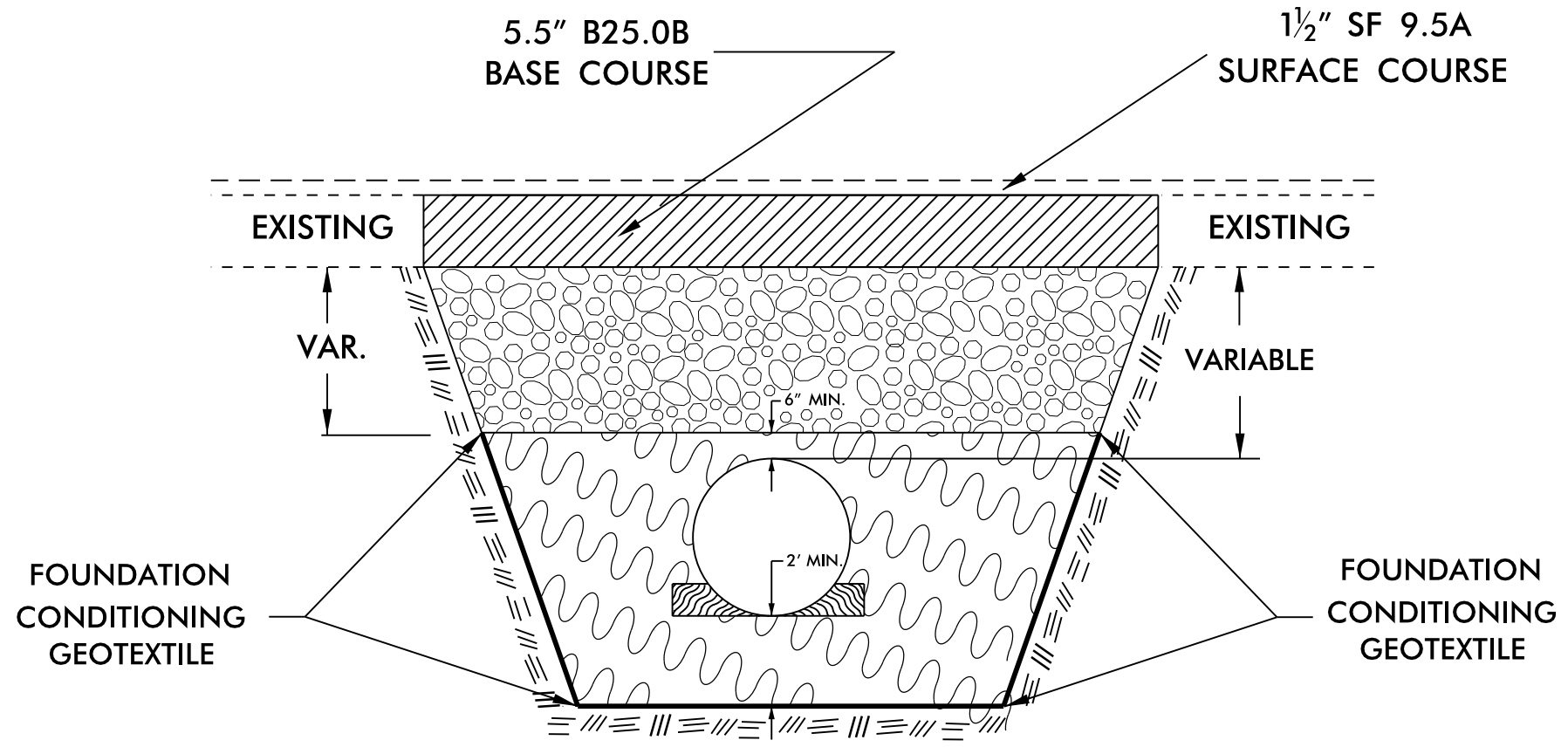
Measurement and Payment

Any undercut beyond the specified 2' below pipe bed, that is out of the Contractor's control and as directed by the Engineer, will be paid for at the contract price as *Generic Culvert Item (Additional Culvert Undercut)* by the cubic yard which will be full compensation for all items required for additional undercut.

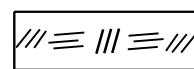
Pay Item	Pay Unit
Generic Culvert Item (Additional Culvert Undercut)	Cubic Yard

INSTALLATION DETAIL

REVISED 12/6/2016



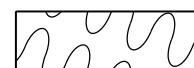
CORRUGATED ALUMINUM ALLOY PIPE /CULVERTS



UNDISTURBED EARTH MATERIAL



TAKE CARE TO FULLY COMPACT
HAUNCH ZONE OF PIPE BACKFILL



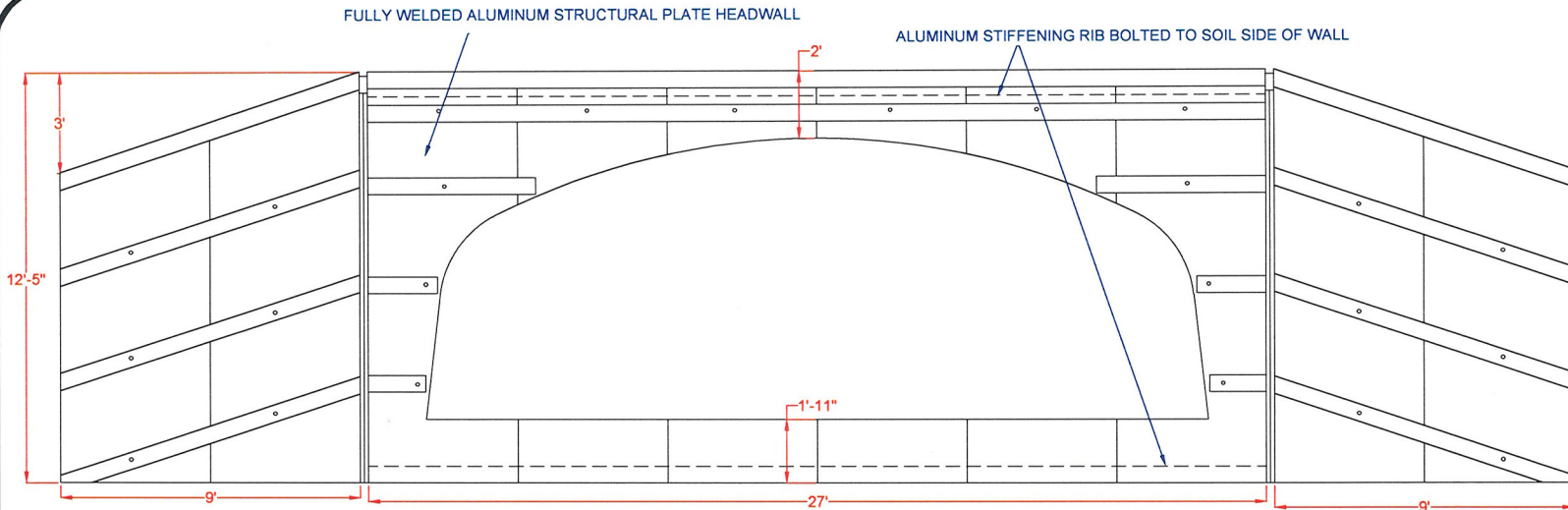
SELECT MATERIAL CLASS VI FOR FOUNDATION CONDITIONING MATERIAL
ENGINEERING FABRIC WILL BE INSTALLED BELOW THIS MATERIAL AS DIRECTED BY THE ENGINEER



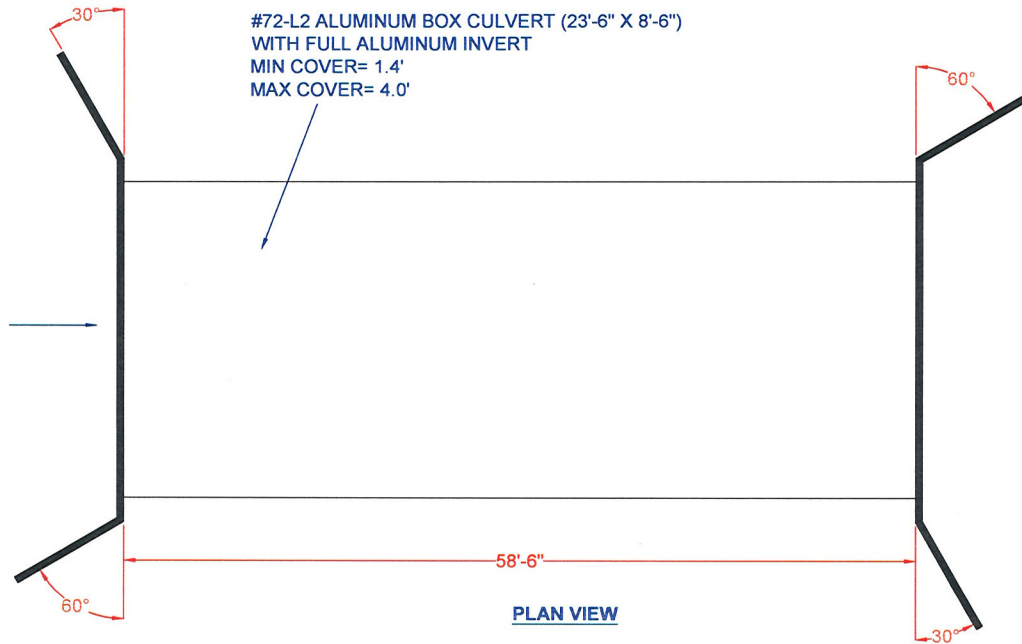
AGGREGATE BASE COURSE

— NOT TO SCALE —

REVISIONS
 05-DEC-2016 11:46
 Projects\DA00330_Pipe_Culvert_Replacements_Chowan & Perquimans Co. (Mathew 2016)\Pre-Bid Documents\Addendum\DA00330_Typical_rev.dgn
 Projects\DA00330_Pipe_Culvert_Replacements_Chowan & Perquimans Co. (Mathew 2016)\Pre-Bid Documents\Addendum\DA00330_Typical_rev.dgn



END VIEW- INLET & OUTLET HEADWALL



PLAN VIEW

DESCRIPTION

NCDOT- BERTIE CO
SR 1310 EXTER RD

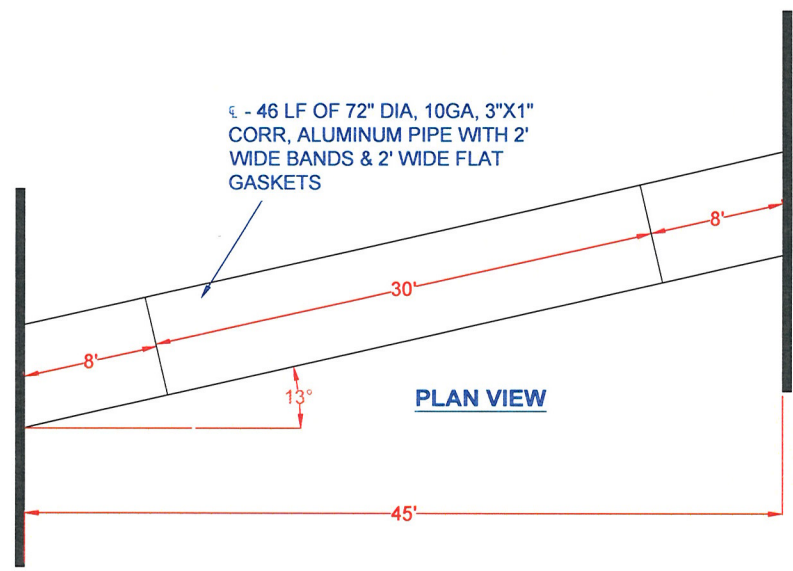
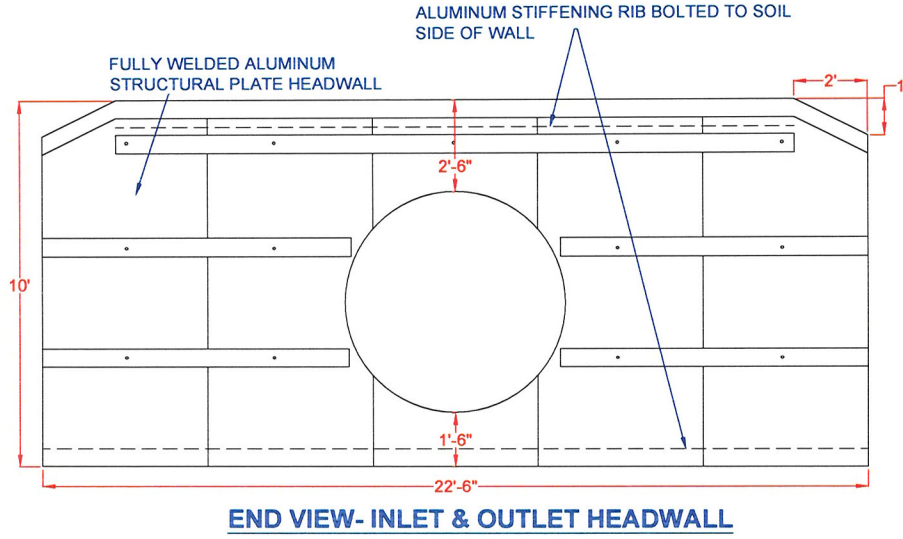
FIRM

PROJECT

DATE
OCT 27, 2016

SHEET

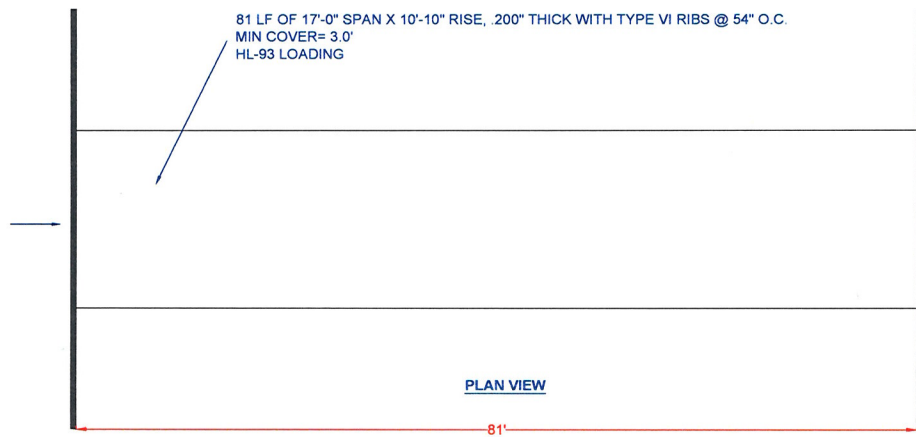
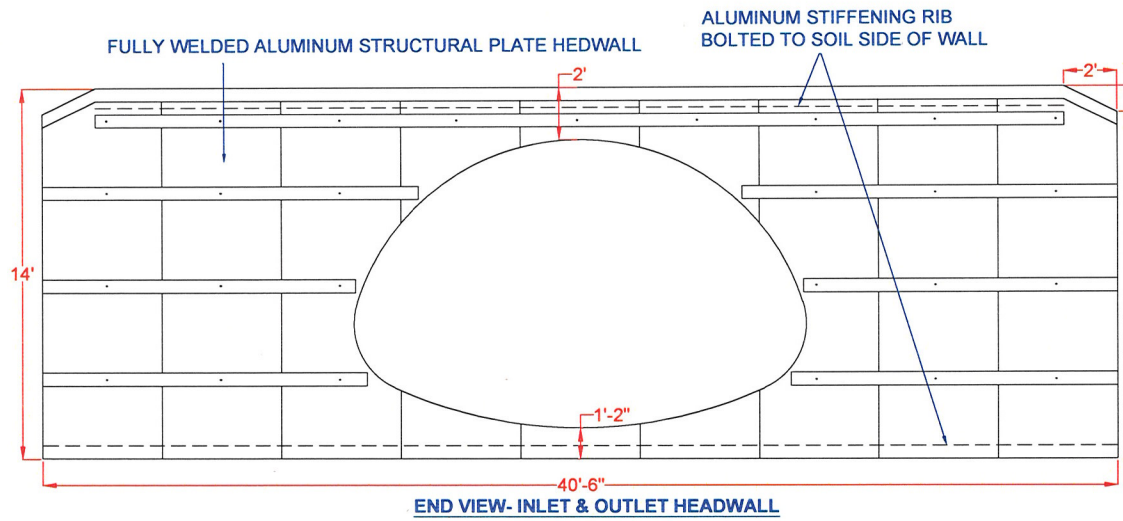
NOT TO SCALE



PROPOSED ELEVATIONS:

- TOP ϕ ROAD= 100.00
- TOP OF HW= 98.50
- TOP OF PIPE = 96.00
- INV. STREAM= 91.00
- INV. PIPE= 90.00

DESCRIPTION	
NCDOT- CAMDEN CO TRAFTON RD	
FIRM	
PROJECT	
DATE OCT 27, 2016	SHEET
NOT TO SCALE	



PROPOSED ELEVATIONS:

TOP \ominus ROAD= 100.00
 TOP OF HW= 98.33
 TOP OF PIPE= 96.33
 INV. STREAM= 86.50
 INV. PIPE= 85.50

DESCRIPTION	
NCDOT- BERTIE CO SCHOOL RD- SR 1257	
FIRM:	
PROJECT:	
DATE: OCT 27, 2016	SHEET
NOT TO SCALE	